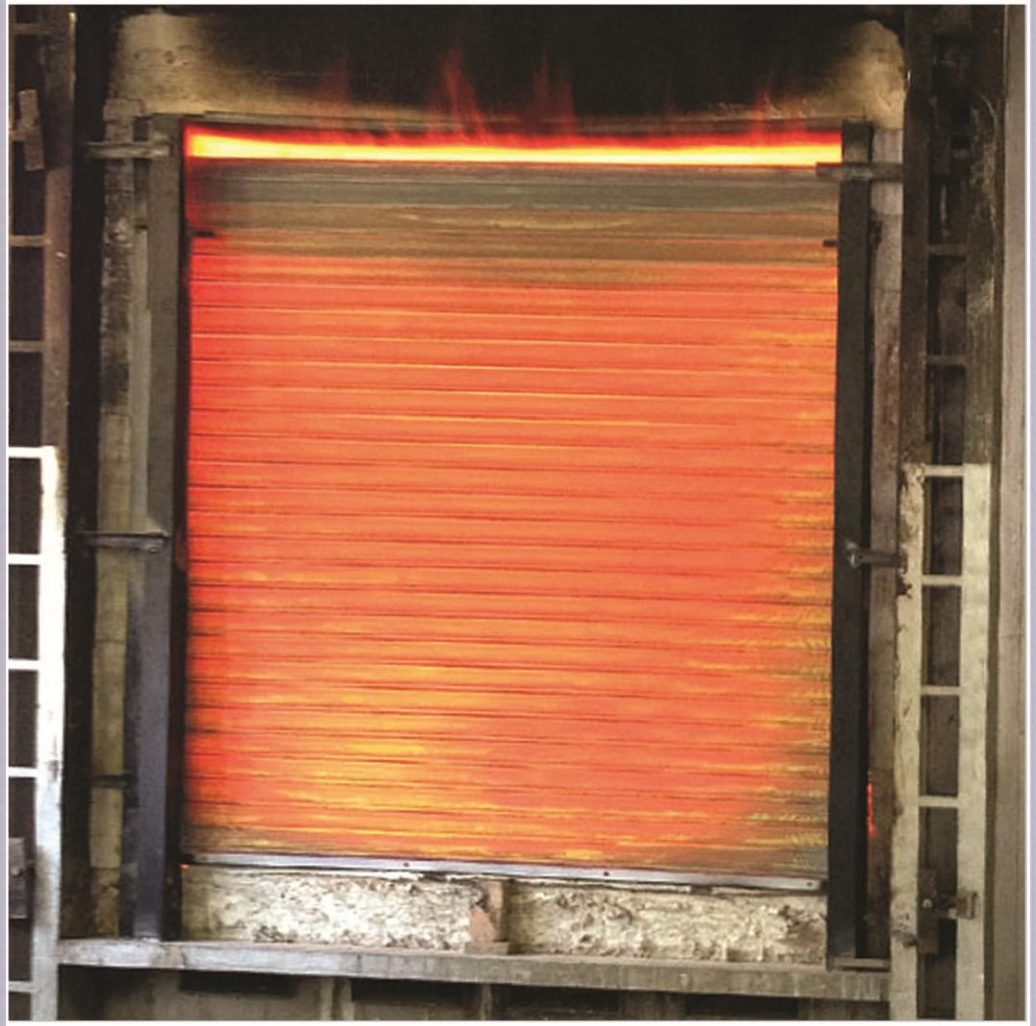


AGB DOUBLE SKIN FIRE-RATED SHUTTERS

AGB FIRE-RATED SHUTTER SERIES(570 SFD)



AGB 570 series fire-rated roller shutter features

- *Electrically operated fire-resistant shutter: fire-rated upto 60 minutes.*
- *Rockwool insulation ensures 100% energy savings.*
- *Windload +/- 20 psf standard.*
- *Suitable for use in industrial, applications, warehouses, loading bays, fire stations, etc.*
- *It is designed to reduce the heat radiation on the other side of the fire, thus preventing the spread of the fire and creating a safe passageway for people to escape.*

AGB

www.agbme.com

AGB DOUBLE SKIN FIRE-RATED SHUTTERS

TECHNICAL FEATURES

CURTAIN

Curtain will be composed of interlocking 5.7 cm galvanized double skin flat surface slats. The curtain designed to withstand fire upto 1 hour and a 20 psf wind load. End of alternate slats will be filled with end-clips.

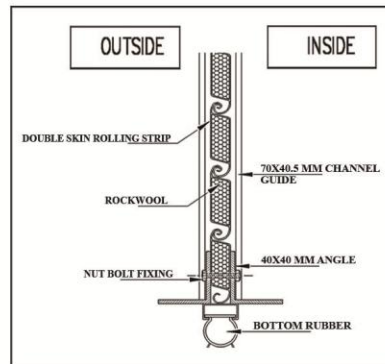
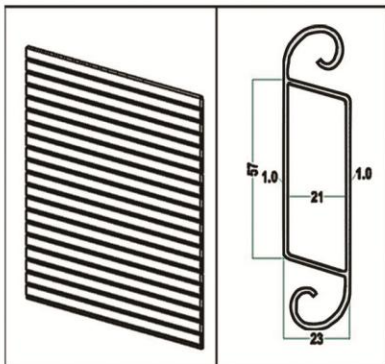
INSULATION

The area between interior and exterior layer is filled with rockwool insulation, the R- value of 6 - 7 ($u=0.15$). The total thickness of the rockwool insulation is 21 mm.

FINISH

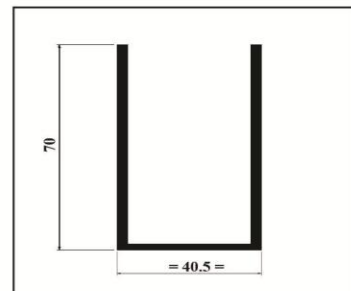
The shutter can be supplied in two finish: Aluminium finish (mill finish) and powder coated finish. The powder coating will be according to the Jotun standard (from 60 to 80 microns).

STRIP DETAILS



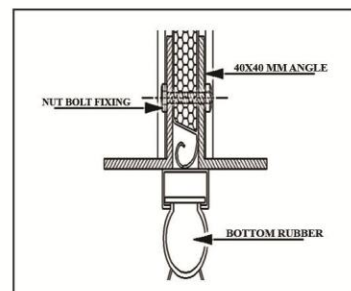
GUIDES

Heavy duty galvanized guide channel with a size of 70X40.5 mm provided.



BOTTOM BAR

The AGB 570 series features a strong double-angle bottom bar that reinforces the lower edge of the curtain against wind pressure and permits varied lock, astragal, and safety edge options.



AGB DOUBLE SKIN FIRE-RATED SHUTTERS

Electrically - Operated Rolling Shutters

AGB fire-rated shutters are operated by fire resistant operator from Matsuda brand. They are made up of self-braking worm gear with hollow shaft, integrated limit switches, integrated safety brakes with overload protection. Operationally, these shutters are relatively easy, hassle free and extremely safe and operate by integrating the control accessories like push-button, key selector or remote controls. During downtime, the option for manual operation is also available.

